

ILLUSTRATED PARTS LIST

MODEL NUMBER SB27

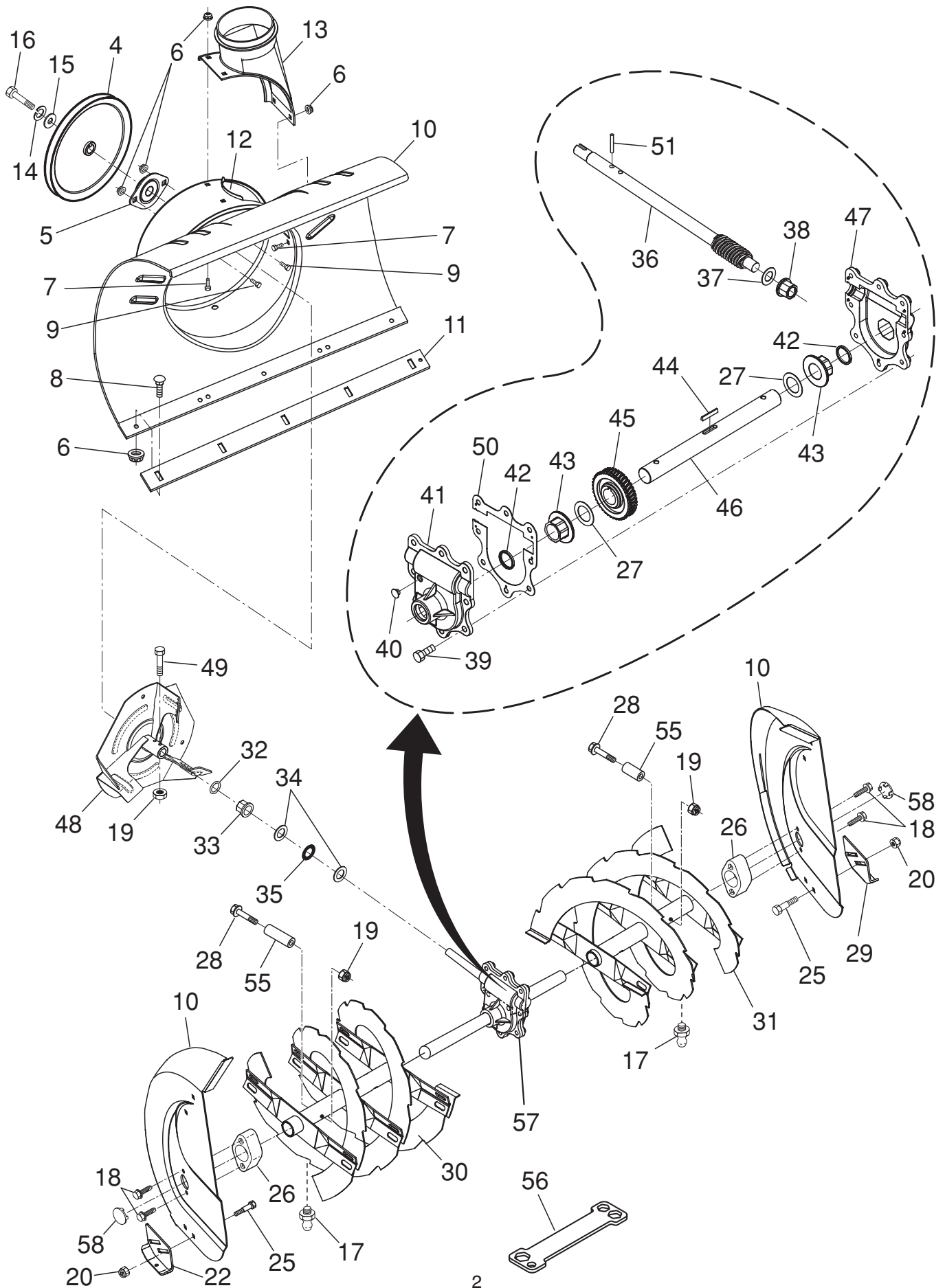
PRODUCT NUMBER 961 91 00-28

MFG. ID. NUMBER 96191002802

REPAIR PARTS

AUGER HOUSING / IMPELLER ASSEMBLY

SNOW THROWER - MODEL NO. **SB27** (96191002802), PRODUCT NO. 961 91 00-28



REPAIR PARTS**AUGER HOUSING / IMPELLER ASSEMBLY****SNOW THROWER - MODEL NO. SB27 (96191002802), PRODUCT NO. 961 91 00-28**

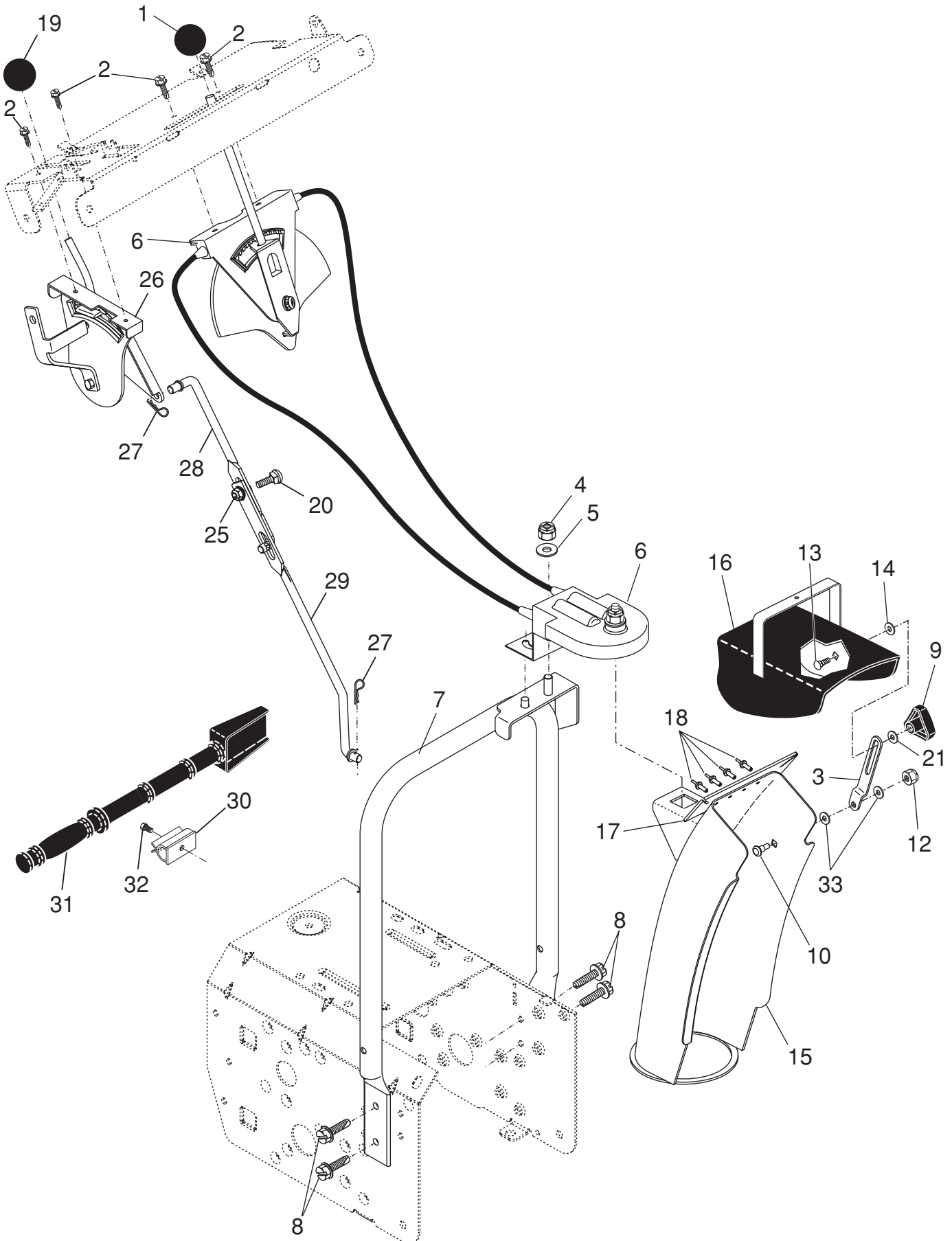
KEY NO.	PART NO.	DESCRIPTION
4	532 19 10-79	Pulley, Impeller
5	532 18 89-09	Bearing Assembly, Flange
6	532 15 53-77	Nut, Hex Flange 5/16-18
7	532 18 03-55	Bolt, Flat Head, Carriage 5/16-18 x 5/8
8	872 27 05-05	Bolt, Carriage 5/16-1 8 x 5/8
9	532 16 31-83	Bolt
10	532 41 52-71	Housing, Auger
11	532 40 77-27	Bar, Scraper
12	532 18 40-95	Bracket, Corner Discharge
13	532 17 53-22	Base, Discharge Chute
14	810 04 05-00	Washer, Lock 5/16
15	819 11 15-07	Washer, Flat
16	874 94 05-16	Screw, Hex Head 5/16-18 x 3/4
17	532 40 56-37	Grease Fitting
18	532 17 95-82	Screw, Hex Head 5/16 x 1
19	873 80 04-00	Nut, Hex Lock 1/4-20
20	532 15 53-77	Nut, Hex Lock 5/16-18
22	532 18 40-94	Skid Plate, RH
25	872 27 05-06	Bolt, Shoulder 1/4-20
26	532 17 46-58	Bearing Retainer, Plastic
27	532 17 46-97	Washer, Thrust, 1"
28	532 19 86-36	Screw #25-20 x 1-3/4
29	532 18 40-93	Skid Plate, LH
30	532 41 63-44	Auger Assembly, RH
31	532 41 63-43	Auger Assembly, LH
32	532 40 77-68	O-Ring
33	532 40 77-69	Bushing, Flange 3/4
34	532 17 46-81	Washer, Thrust 3/4
35	532 17 46-84	Bearing, Thrust 3/4
36	532 40 77-57	Shaft, Impeller
37	532 17 46-83	Washer, Thrust 5/8
38	532 40 77-58	Bushing, Flange 5/8
39	532 40 77-67	Screw, Hex Head 5/16-18 x 3/4
40	532 40 77-60	Plug, Case
41	532 40 77-61	Housing, Gearbox, RH
42	532 40 77-70	Seal, Oil
43	532 40 77-62	Bushing, Flange, 1"
44	532 18 92-82	Key, Square 1/4 x 1/4 x 7/8
45	532 40 77-63	Gear, Worm
46	532 40 77-64	Shaft, Auger
47	532 40 77-65	Housing, Gearbox, LH
48	532 18 41-05	Impeller Assembly
49	874 78 04-26	Screw, Hex Head 1/4-20 x 1-5/8
50	532 40 77-66	Gasket, Gearbox
51	532 18 42-05	Pin, Roll 3/16 x 1-1/8
55	532 19 86-38	Spacer
56	532 18 06-84	Multi-Wrench
57	532 19 67-10	Gearbox Assembly
58	532 41 19-39	Plug, Bearing Hole

NOTE: All component dimensions given in U.S. inches. 1 inch = 25.4 mm**IMPORTANT:** Use only Original Equipment Manufacturer (O.E.M.) replacement parts. Failure to do so could be hazardous, damage your snow thrower and void your warranty.

REPAIR PARTS

CONTROL PANEL / DISCHARGE CHUTE

SNOW THROWER - MODEL NO. **SB27** (96191002802), PRODUCT NO. 961 91 00-28



REPAIR PARTS

CONTROL PANEL / DISCHARGE CHUTE

SNOW THROWER - MODEL NO. **SB27** (96191002802), PRODUCT NO. 961 91 00-28

KEY NO.	PART NO.	DESCRIPTION
1	532 41 42-80	Knob, Lever
2	817 50 10-10	Screw #10-24 x 5/8
3	532 18 41-14	Strap, Slotted
4	873 80 06-00	Nut, Lock 3/8-16
5	819 13 13-16	Washer, Flat 3/8
6	532 40 49-74	Control Assembly, Chute Rotater
7	532 40 76-43	Support, Pivot
8	532 15 00-78	Screw, Hex Head 5/16-18 x 3/4
9	532 19 19-38	Knob, Deflector
10	532 18 56-00	Bolt, Shoulder
12	532 19 17-30	Nut, Lock 1/4-20
13	872 25 05-05	Bolt, Carriage 5/16-18
14	532 17 92-46	Washer, Friction
15	532 40 77-32	Chute Assembly
16	532 18 45-11	Deflector Assembly
17	532 17 91-45	Seal, Deflector
18	532 12 84-15	Rivet, Blind
19	532 41 42-81	Knob, Speed Control Lever
20	872 27 05-06	Bolt, Carriage 5/16-18 x 3/4
21	532 15 54-15	Washer, Flat 5/16
25	532 15 53-77	Nut, Lock 5/16-18
26	532 19 84-74	Lever Assembly, Speed Control
27	532 16 96-75	Retainer, Hairpin
28	532 18 04-45	Rod, Upper, Speed Control
29	532 18 77-16	Rod, Lower, Speed Control
30	532 40 54-00	Clamp, Clean-Out Tool
31	532 19 21-99	Tool, Clean-Out
32	532 19 41-89	Screw
33	532 17 92-46	Washer, Friction

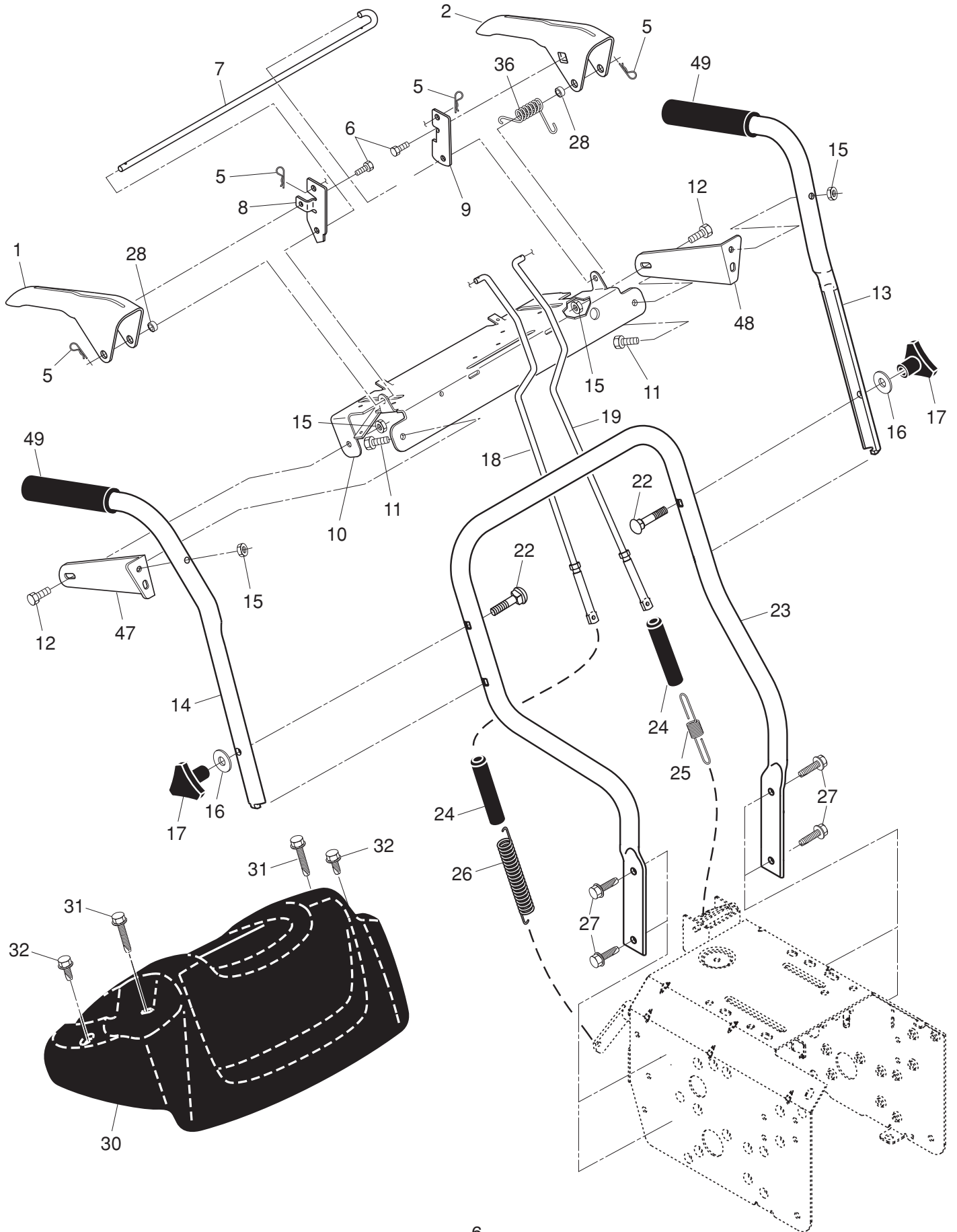
NOTE: All component dimensions given in U.S. inches. 1 inch = 25.4 mm

IMPORTANT: Use only Original Equipment Manufacturer (O.E.M.) replacement parts. Failure to do so could be hazardous, damage your snow thrower and void your warranty.

REPAIR PARTS

HANDLES

SNOW THROWER - MODEL NO. SB27 (96191002802), PRODUCT NO. 961 91 00-28



REPAIR PARTS**HANDLES****SNOW THROWER - MODEL NO. SB27 (96191002802), PRODUCT NO. 961 91 00-28**

KEY NO.	PART NO.	DESCRIPTION
1	532 41 55-42	Lever, Auger Control, RH
2	532 41 55-41	Lever, Traction Drive Control, LH
5	532 16 96-75	Retainer, Hairpin
6	817 06 04-08	Screw, Hex Head
7	532 41 26-77	Bail, Interlock
8	532 19 95-76	Arm, Impeller Rod
9	532 41 55-46	Arm, Traction Rod
10	532 41 55-39	Panel, Control
11	874 78 05-24	Screw, Hex Head 5/16-18 x 1-1/2
12	874 78 05-12	Screw, Hex Head 5/16-18 x 3/4
13	532 41 52-36	Handle Tube, LH
14	532 41 52-37	Handle Tube, RH
15	532 75 11-53	Nut, Lock 5/16-18
16	819 13 13-16	Washer, Flat 3/8
17	532 17 88-99	Knob, Handle
18	532 18 04-80	Rod, Auger Control
19	532 40 57-40	Rod, Traction Control
22	872 12 06-18	Bolt, Carriage 3/8-16 x 2-1/4
23	532 41 54-36	Handle Tube, Lower
24	532 18 04-47	Sleeve, Spring
25	532 18 09-26	Spring, Traction Drive
26	532 17 86-69	Spring, Auger Control
27	817 00 06-16	Screw, Hex Head 3/8-16 x 1
28	532 41 26-80	Spacer
30	532 18 33-52	Console, Panel
31	532 17 52-62	Screw, Hex Head, Tapping #10-24 x 1-1/4
32	532 18 44-71	Screw, Hex Head, Tapping #10-24 x 1/2
47	532 19 69-43	Mounting Bracket, Handle, RH
48	532 19 69-44	Mounting Bracket, Handle, LH
49	532 19 95-13	Grip, Handle

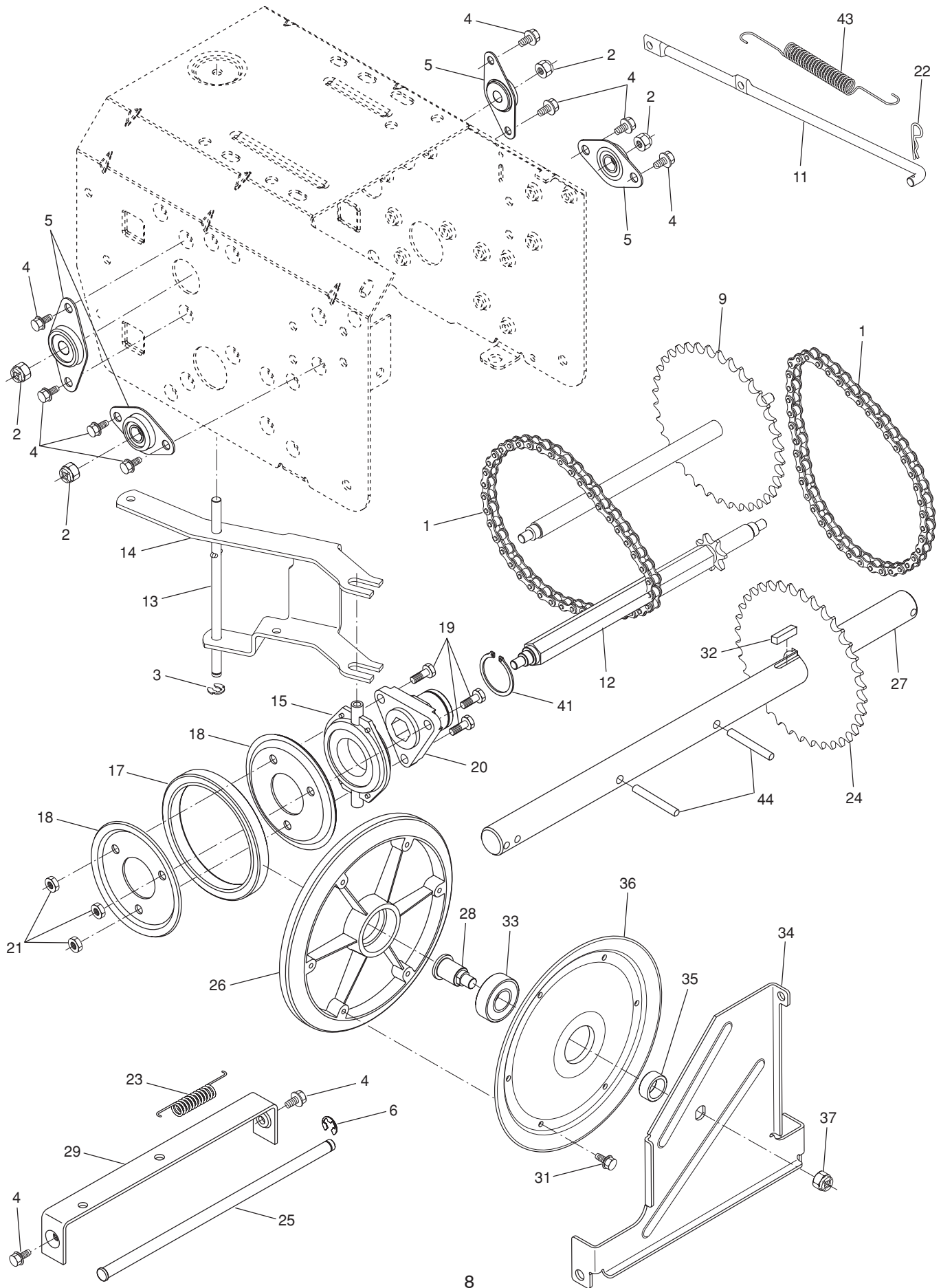
NOTE: All component dimensions given in U.S. inches. 1 inch = 25.4 mm

IMPORTANT: Use only Original Equipment Manufacturer (O.E.M.) replacement parts. Failure to do so could be hazardous, damage your snow thrower and void your warranty.

REPAIR PARTS

DRIVE

SNOW THROWER - MODEL NO. SB27 (96191002802), PRODUCT NO. 961 91 00-28



SNOW THROWER - MODEL NO. **SB27** (96191002802), PRODUCT NO. 961 91 00-28

KEY NO.	PART NO.	DESCRIPTION
1	532 40 16-19	Chain, Drive
2	532 75 11-53	Nut, Lock 5/16-18
3	532 40 28-82	Clip, Retainer
4	817 49 05-08	Bolt, Hex Head 5/16-18 x 1/2
5	532 40 89-81	Bearing, Flange
6	812 00 00-07	E-Ring, Retainer
9	532 40 28-55	Sprocket & Shaft Assembly
11	532 40 25-68	Rod, Clutch
12	532 40 21-87	Shaft, Hex
13	532 40 23-10	Pivot Rod, Shifter
14	532 41 53-88	Yoke, Shifter
15	532 17 53-44	Trunnion Bearing Assembly
17	532 17 98-31	Ring, Rubber Wheel
18	532 19 95-09	Plate, Rubber Wheel
19	874 76 05-14	Screw, Hex Head 5/16-18 x 7/8
20	532 17 86-13	Hub, Rubber Wheel
21	873 93 05-00	Nut, Lock 5/16-18
22	532 16 96-75	Retainer, Hairpin
23	532 18 01-35	Spring, Bias
24	532 40 26-91	Sprocket, Axle Shaft
25	532 40 26-52	Pivot Rod, Swing Plate
26	532 40 18-20	Plate, Drive
27	532 17 93-52	Axle Shaft Assembly
28	532 40 25-04	Shaft, Friction Pulley
29	532 41 54-29	Bracket, Shifter, Speed
31	817 54 10-08	Screw, Hex Head #10-24 x 1/2
32	532 18 92-82	Key, Square
33	532 19 87-91	Bearing, Ball
34	532 40 23-94	Plate, Swing
35	532 40 25-11	Spacer, Bearing
36	532 40 23-93	Pulley, Friction
37	532 13 20-10	Nut, Lock 5/16-18
41	812 00 00-12	Ring, Retaining
43	532 40 28-78	Spring, Return
44	532 18 42-06	Pin, Roll

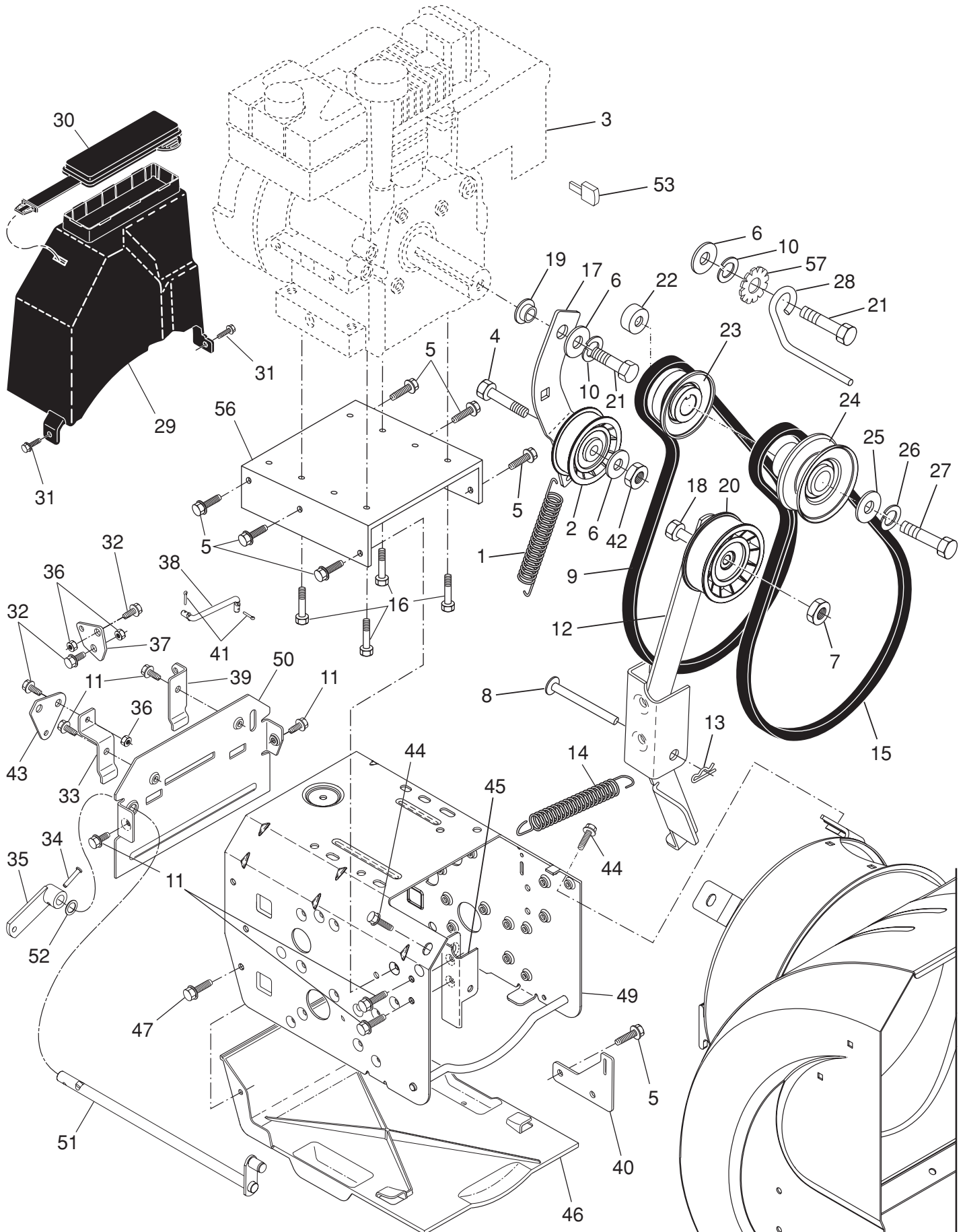
NOTE: All component dimensions given in U.S. inches. 1 inch = 25.4 mm

IMPORTANT: Use only Original Equipment Manufacturer (O.E.M.) replacement parts. Failure to do so could be hazardous, damage your snow thrower and void your warranty.

REPAIR PARTS

CHASSIS / ENGINE / PULLEYS

SNOW THROWER - MODEL NO. **SB27** (96191002802), PRODUCT NO. 961 91 00-28



REPAIR PARTS

CHASSIS / ENGINE / PULLEYS

SNOW THROWER - MODEL NO. **SB27** (96191002802), PRODUCT NO. 961 91 00-28

KEY PART NO.	PART NO.	DESCRIPTION	KEY PART NO.	PART NO.	DESCRIPTION
1	532 41 45-57	Spring, Traction Idler	26	532 85 02-63	Washer, Lock 3/8
2	532 18 05-22	Pulley, Idler (2-1/4)	27	532 85 10-84	Screw, Hex Head 3/8-24 x 1-3/8
3	- - -	Engine, Tecumseh, Model Number OH318SA (For engine service and replacement parts, call Tecumseh Products at 1-800-558-5402)	28	532 15 54-52	Guide, Belt
4	874 78 05-20	Screw, Hex Head 5/16-18 x 1-1/4	29	532 19 22-13	Belt Cover Assembly (Includes Toolbox Cover)
5	532 15 00-78	Screw	30	532 17 88-30	Cover, Toolbox
6	532 05 92-89	Washer, Flat	31	817 49 04-08	Screw, Hex Head 1/4-20 x 1/2
7	532 16 67-85	Nut, Jam, Lock 5/16-18	32	532 40 28-81	Bolt, Shoulder 5/16-18
8	532 17 53-30	Pin, Idler Pivot	33	532 41 54-33	Bellcrank Shifter
9	532 41 69-54	V-Belt, Traction Drive	34	532 19 85-80	Clevis Pin
10	810 04 05-00	Washer, Lock 5/16	35	532 40 54-85	Arm, Auger Control
11	817 49 05-08	Screw, Hex Washer Head 5/16-18 x 1/2	36	532 19 17-30	Locknut, Hex
12	532 41 04-20	Impeller Arm Assembly	37	532 41 54-35	Plate, Clutch
13	532 08 51-79	Retainer, Hairpin	38	532 18 71-01	Link, Speed Control
14	532 17 88-28	Spring, Brake	39	532 41 68-64	Bracket, Clutch
15	532 40 80-07	V-Belt, Impeller Drive	40	532 41 66-82	Bracket, Traction
16	532 15 04-06	Screw, Hex Head 3/8-16 x 1-1/4	41	532 70 02-79	Hairpin, Cotter 3/32 x 1/2
17	532 18 77-86	Arm, Idler	42	873 93 05-00	Locknut, Hex
18	874 78 05-24	Screw, Hex Head 5/16-18 x 1-1/2	43	532 41 54-50	Plate, Shifter
19	532 17 53-31	Bushing, Idler Pivot	44	817 00 06-16	Screw, Hex Head
20	532 18 05-23	Pulley, Idler (2-3/4)	45	532 18 40-74	Pivot Bracket, Impeller Idler Arm
21	874 61 05-16	Screw, Hex Head 5/16-24 x 1	46	532 41 08-77	Pan, Frame Bottom
22	532 40 94-75	Spacer, Engine Pulley	47	532 18 44-71	Screw
23	532 18 04-78	Pulley, Engine, Traction Drive	49	532 41 59-02	Frame Assembly
24	532 17 91-57	Pulley, Engine, Impeller Drive	50	532 41 54-31	Plate, Frame End
25	532 40 00-26	Washer, Flat 3/8	51	532 40 61-09	Shaft, Auger Control
			52	532 05 70-79	Washer, Hardened
			53	532 03 50-62	Key, Safety
			56	532 41 70-84	Mounting Plate, Engine
			57	811 05 05-00	Washer, Lock, External Tooth

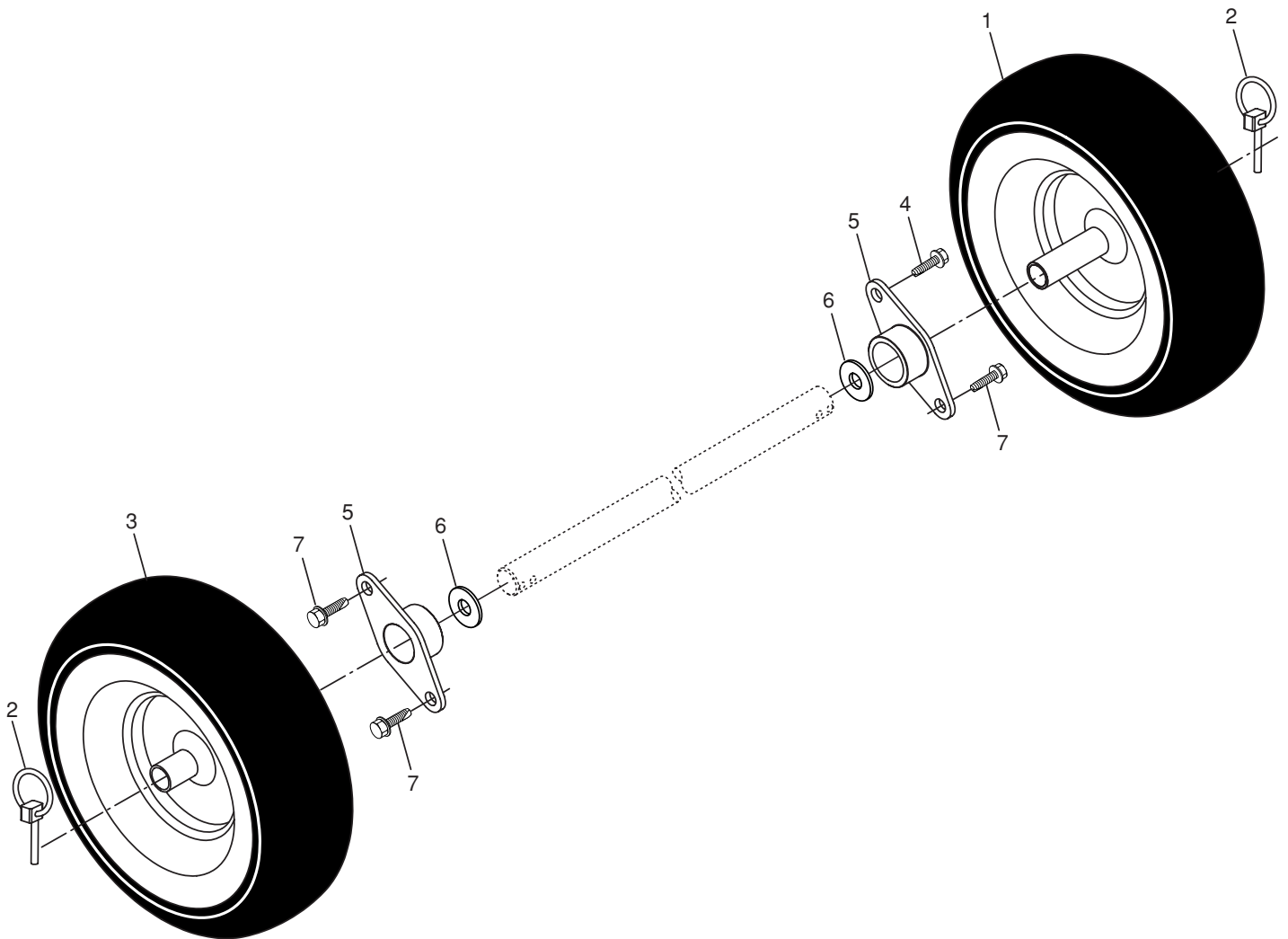
NOTE: All component dimensions given in U.S. inches. 1 inch = 25.4 mm

IMPORTANT: Use only Original Equipment Manufacturer (O.E.M.) replacement parts. Failure to do so could be hazardous, damage your snow thrower and void your warranty.

REPAIR PARTS

WHEELS

SNOW THROWER - MODEL NO. **SB27** (96191002802), PRODUCT NO. 961 91 00-28



REPAIR PARTS

WHEELS

SNOW THROWER - MODEL NO. **SB27** (96191002802), PRODUCT NO. 961 91 00-28

KEY NO.	PART NO.	DESCRIPTION
1	532 41 53-72	Wheel Assembly, 13", LH
2	532 15 54-43	Pin, Klik 1/4
3	532 41 53-79	Wheel Assembly, 13", RH
4	532 14 63-15	Screw, Hex Head 5/16-18 x 5/8
5	532 17 98-30	Bearing, Axle
6	532 17 46-97	Washer, Thrust (1")
7	817 49 05-08	Bolt

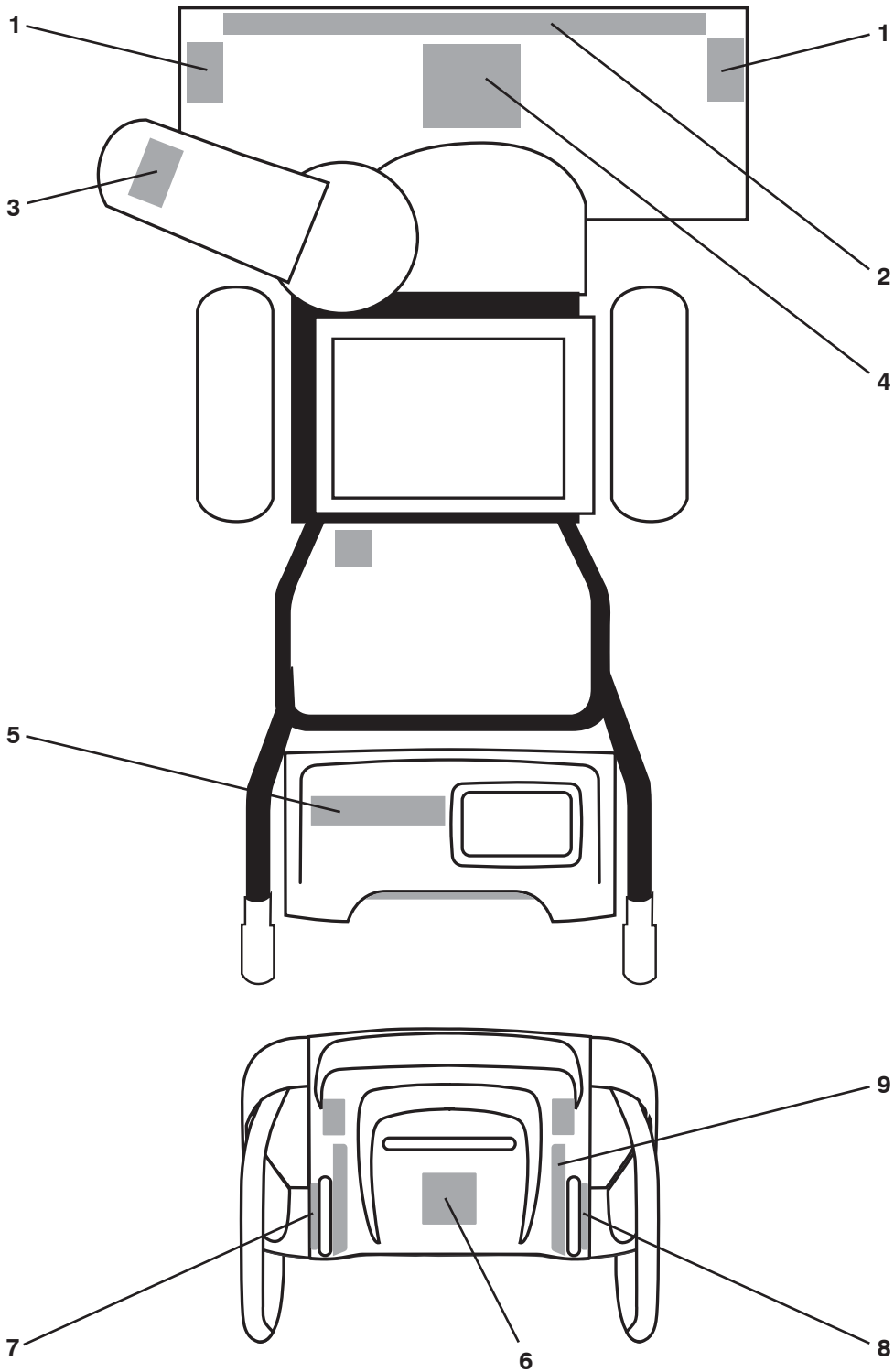
NOTE: All component dimensions given in U.S. inches. 1 inch = 25.4 mm

IMPORTANT: Use only Original Equipment Manufacturer (O.E.M.) replacement parts. Failure to do so could be hazardous, damage your snow thrower and void your warranty.

REPAIR PARTS

DECALS

SNOW THROWER - MODEL NO. SB27 (96191002802), PRODUCT NO. 961 91 00-28



SNOW THROWER - MODEL NO. SB27 (96191002802), PRODUCT NO. 961 91 00-28

KEY NO.	PART NO.	DESCRIPTION
1	532 19 96-83	Decal, Auger Safety
2	532 41 48-49	Decal, Partner
3	532 19 96-82	Decal, Danger, Deflector
4	532 18 40-45	Decal, Danger
5	532 41 49-57	Decal, Partner
6	532 18 40-30	Decal, Instruction
7	532 41 53-93	Decal, Traction Lever
8	532 41 53-92	Decal, Auger Lever
9	532 41 54-77	Decal, Speed Control
--	532 41 46-65	Operator's Manual, European
--	532 41 46-66	Operator's Manual, Scandinavian
--	532 41 46-67	Operator's Manual, East Bloc
--	532 41 46-68	Operator's Manual, Baltic

NOTE: All component dimensions given in U.S. inches. 1 inch = 25.4 mm

IMPORTANT: Use only Original Equipment Manufacturer (O.E.M.) replacement parts. Failure to do so could be hazardous, damage your snow thrower and void your warranty.